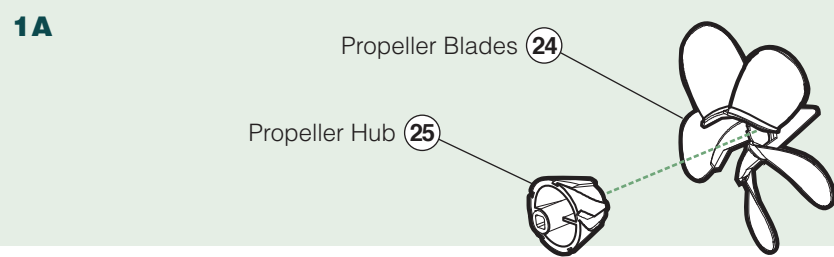


1 HULL

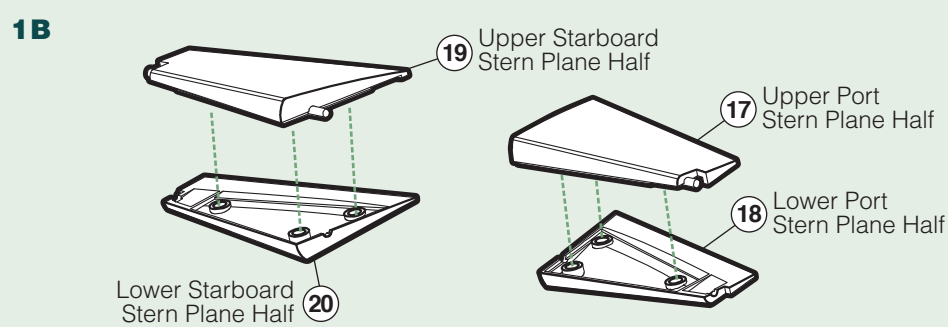
A PROPELLER

Cement **Propeller** (#24) and **Propeller Hub** (#25) together. Set assembly aside.



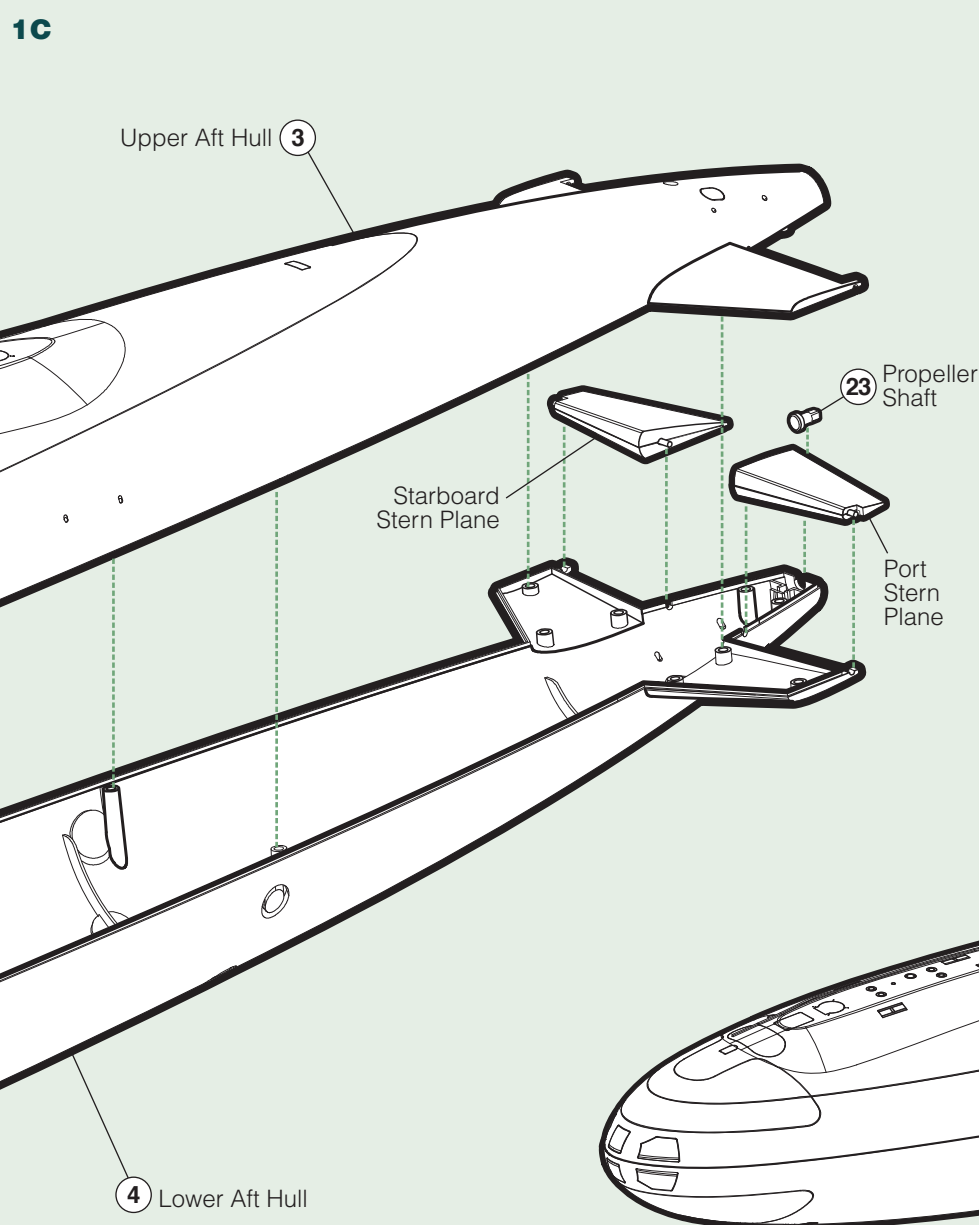
B STERN PLANES

Cement the **Upper** (#17) and the **Lower** (#18) **Port Stern Plane Halves** together. Cement the **Upper** (#19) and the **Lower** (#20) **Starboard Stern Plane Halves** together.



C AFT HULL

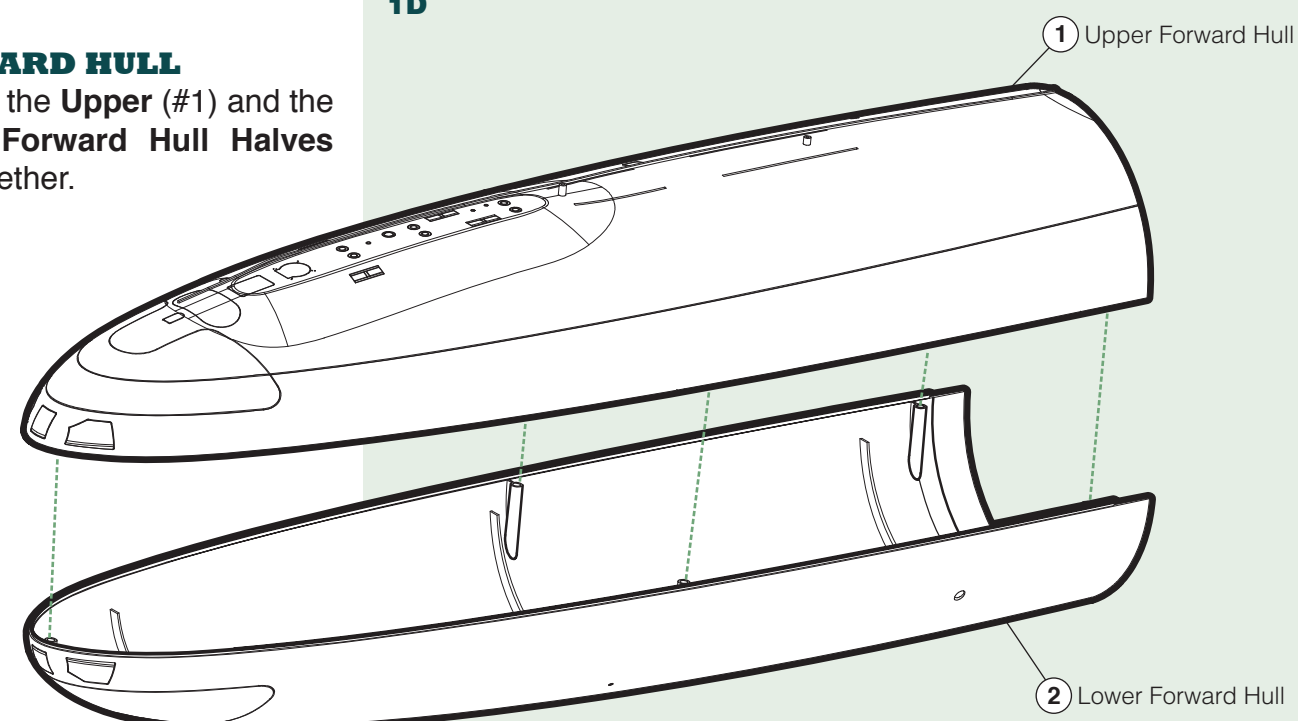
Trap the **Propeller Shaft** (#23) and the **Port** and **Starboard Stern Planes** between **Upper** (#3) and **Lower** (#4) **Aft Hull Halves**, gluing the two halves together. (If model is for static display, you may wish to cement the **Stern Planes** in place.)



PAGE 4

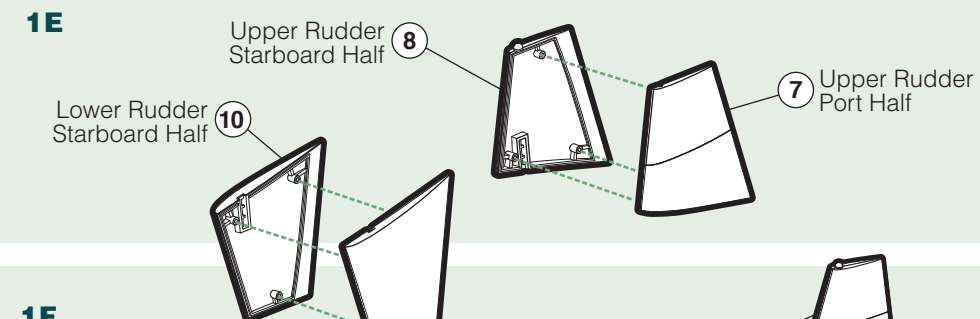
D FORWARD HULL

Cement the **Upper** (#1) and the **Lower Forward Hull Halves** (#2) together.



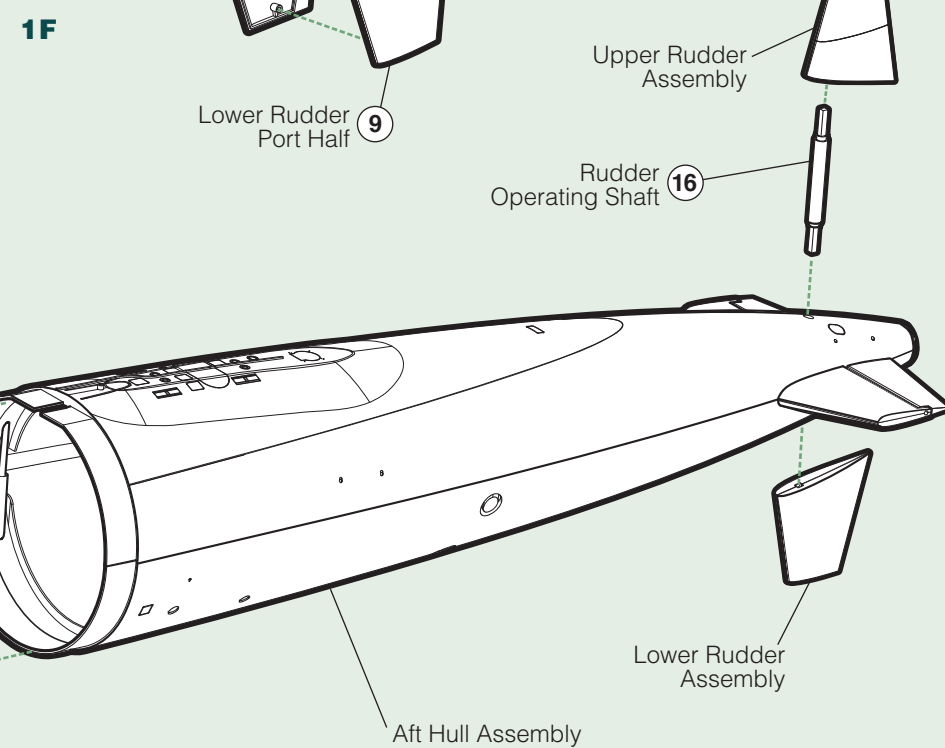
E RUDDER

Cement the **Lower Rudder Halves** (#9 & #10) together. Cement the **Upper Rudder Halves** (#7 & #8) together.



F COMPLETE HULL

Cement the **Forward Hull Assembly** to **Aft Hull Assembly**. Insert the **Rudder Operating Shaft** (#16) through hole in **Aft Hull**; cement **Upper Rudder Assembly** and **Lower Rudder Assembly** to **Rudder Operating Shaft**. (If model is for static display, you may wish to cement the **Upper** and **Lower Rudders** in place.)

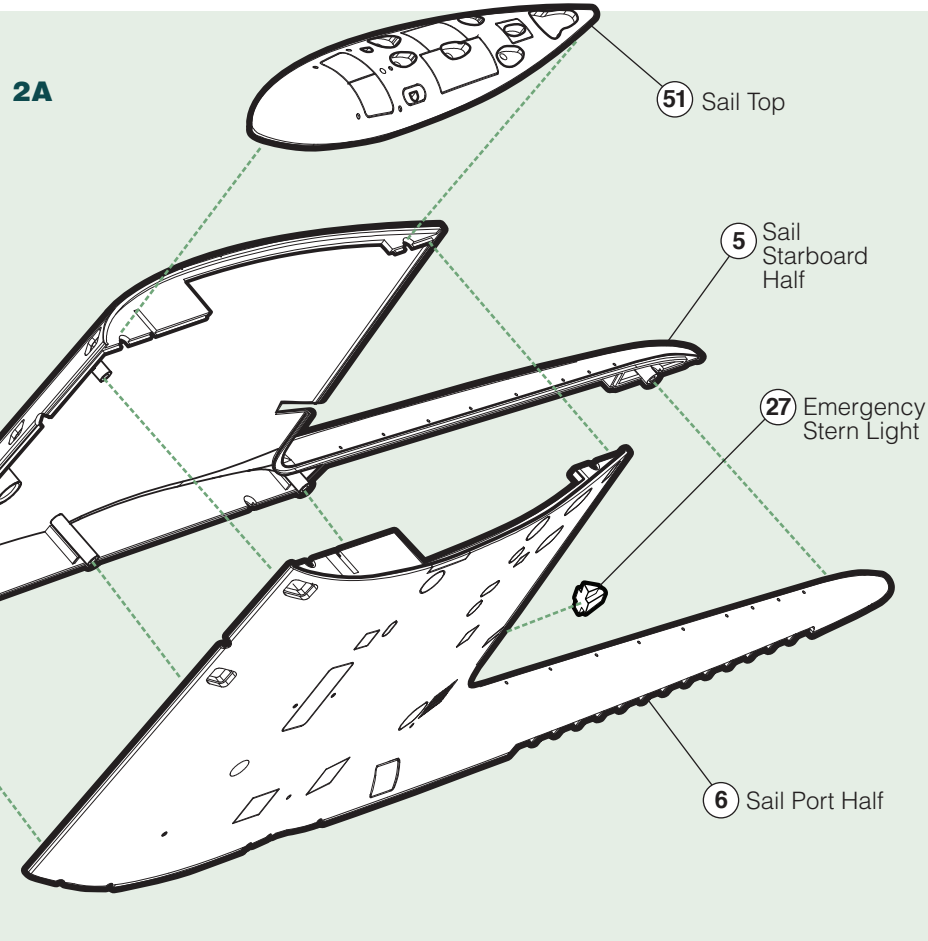


PAGE 5

2 SAIL

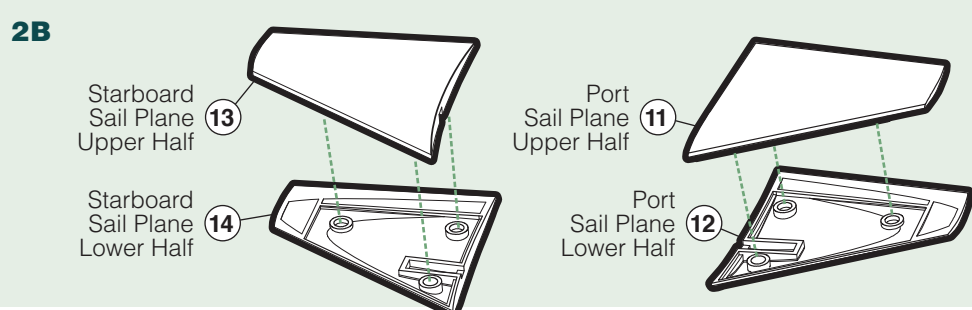
A SAIL

Cement the **Sail Starboard Half** (#5) to the **Sail Port Half** (#6), cementing the **Emergency Stern Light** (#27) in place between the two halves as shown. Cement the **Sail Top** (#51) in place.



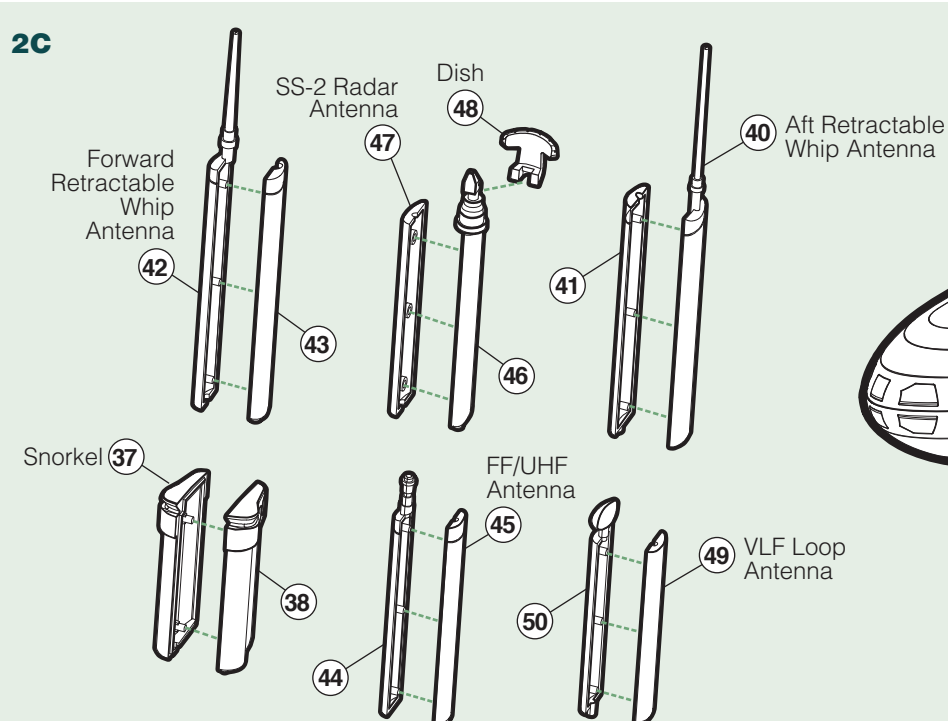
B SAIL PLANES

Cement the **Upper** (#13) and the **Lower** (#14) **Starboard Sail Plane Halves** together. Cement the **Upper** (#11) and the **Lower** (#12) **Port Sail Plane Halves** together.



C SAIL DETAILS

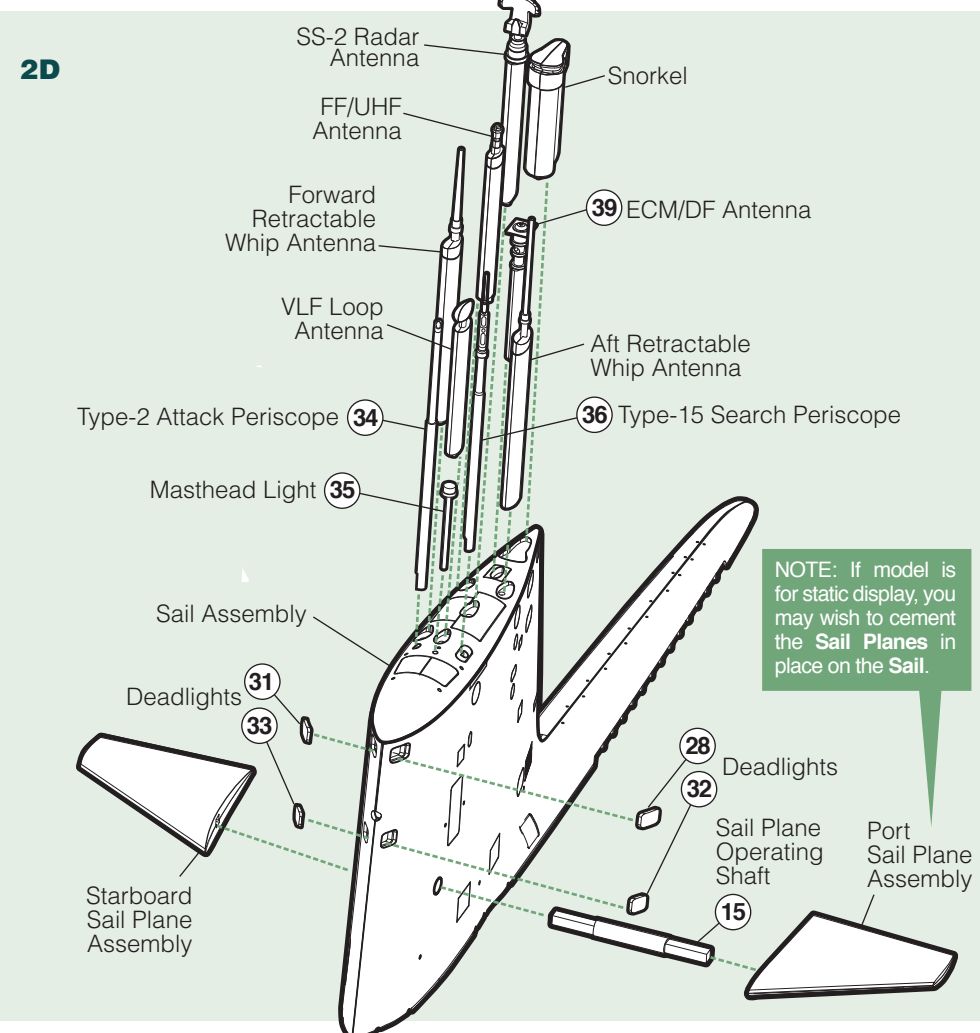
Cement **Forward Retractable Whip Antenna Halves** (#42 & #43) together; the **SS-2 Radar Antenna Halves** (#46 & #47) and **Dish** (#48) together; the **Aft Retractable Whip Antenna Halves** (#40 & #41) together; **Snorkel Halves** (#37 & #38) together; **FF/UHF Antenna Halves** (#44 & #45) together; and **VLF Loop Antenna Halves** (#49 & #50) together.



PAGE 6

D COMPLETE SAIL

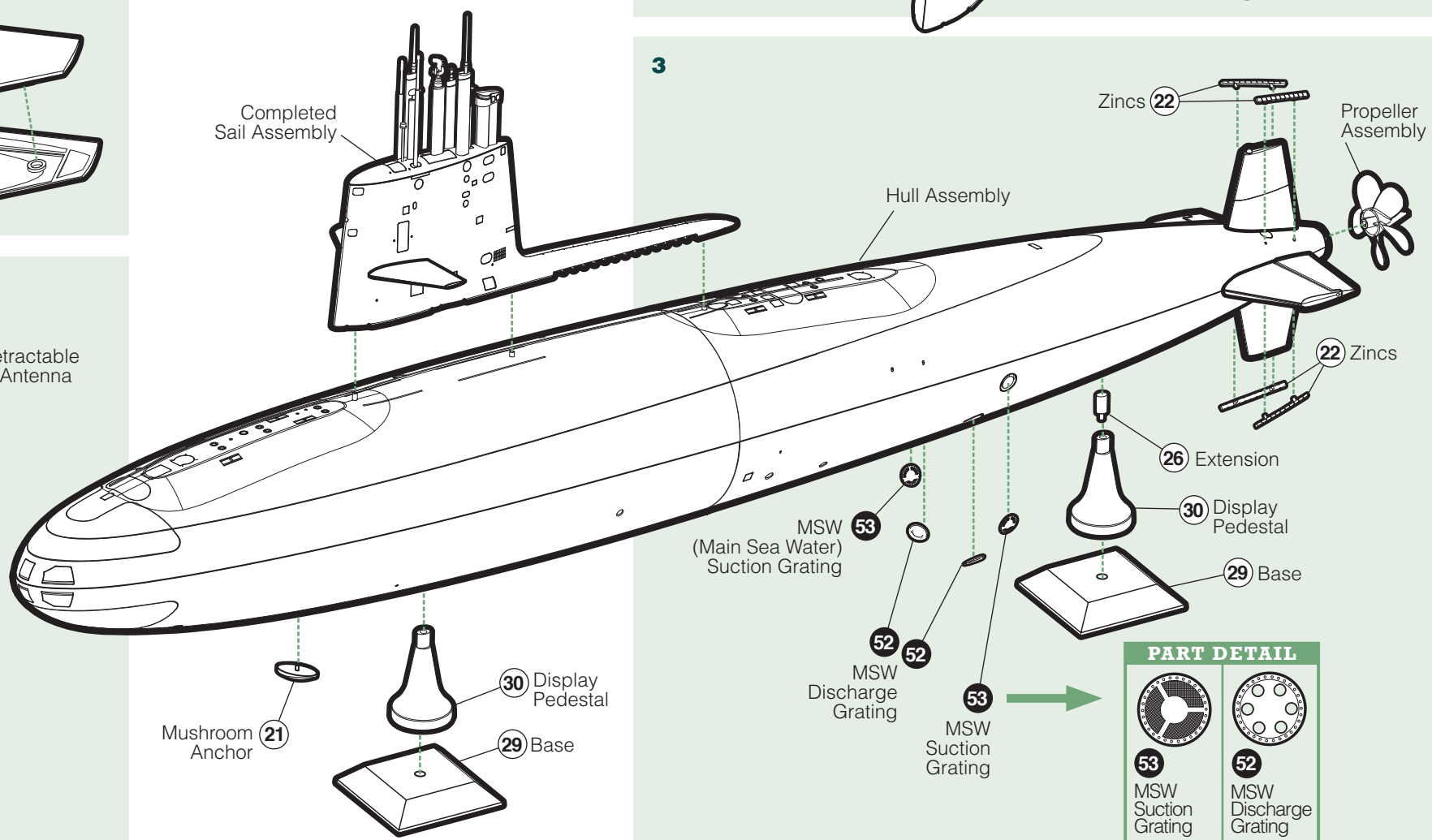
Cement completed **Snorkel** and **Antennae**, **ECM/DF Antenna** (#39), **Attack Periscope** (#34), **Masthead Light** (#35) and **Search Periscope** (#36) to **Sail Top** as shown. Insert **Shaft** (#15) through **Sail**, and cement **Sail Planes** to **Shaft**. Cement **Deadlights** (#28, #31, #32 & #33) in place as shown.



NOTE: If model is for static display, you may wish to cement the **Sail Planes** in place on the **Sail**.

3 FINAL

Cement **Sail Assembly** to **Hull**. Cement the **Mushroom Anchor** (#21), **Zincs** (#22), **MSW Suction Gratings** (#53) and the **MSW Discharge Gratings** (#52) to the **Hull**. Cement **Propeller** to **Shaft**. Cement **Display Pedestals** (#30) to **Bases** (#29), and add **Extension** (#26) to rear **Pedestal**. Place the **Skipjack** on **Display Stands**.



PAGE 7